

North America: LB2120-100NAS†
Europe: LB2120-100PES
United Kingdom: LB2120-100UKS
Australia: LB2120-100AUS



Highlights

- Simple fail-safe connectivity with 4G LTE/3G/2G†
- Connect to existing equipment to support fixed broadband failover
- Dual Ethernet ports for wired connection pass-through
- Optional 4G/3G/2G antennas for better signal reception

Overview

The NETGEAR LTE Modem 2120 is a simple, fail-safe connectivity solution with 4G LTE/3G/2G for your devices or services, avoiding disruptions in broadband when your fixed wire line goes down. Simply connect your existing wire line broadband connection to the LB2120 to provide an automatic LTE broadband backup connection.

Key Features



Super-fast Connectivity with 4G LTE & 3G/2G† Fallback

Get secure and super-fast 4G LTE connectivity with 3G/2G fallback. Get up to 150 Mbps download and 50 Mbps upload speeds.



Wired Connections

2 Gigabit Ethernet ports for connection pass-through.



Better Signal Reception

Two connectors available to connect optional 4G/3G/2G antennas for better signal reception.

† 2G support is not available on the LB2120-100NAS SKU.

North America: LB2120-100NAS†
Europe: LB2120-100PES
United Kingdom: LB2120-100UKS
Australia: LB2120-100AUS

Use Cases

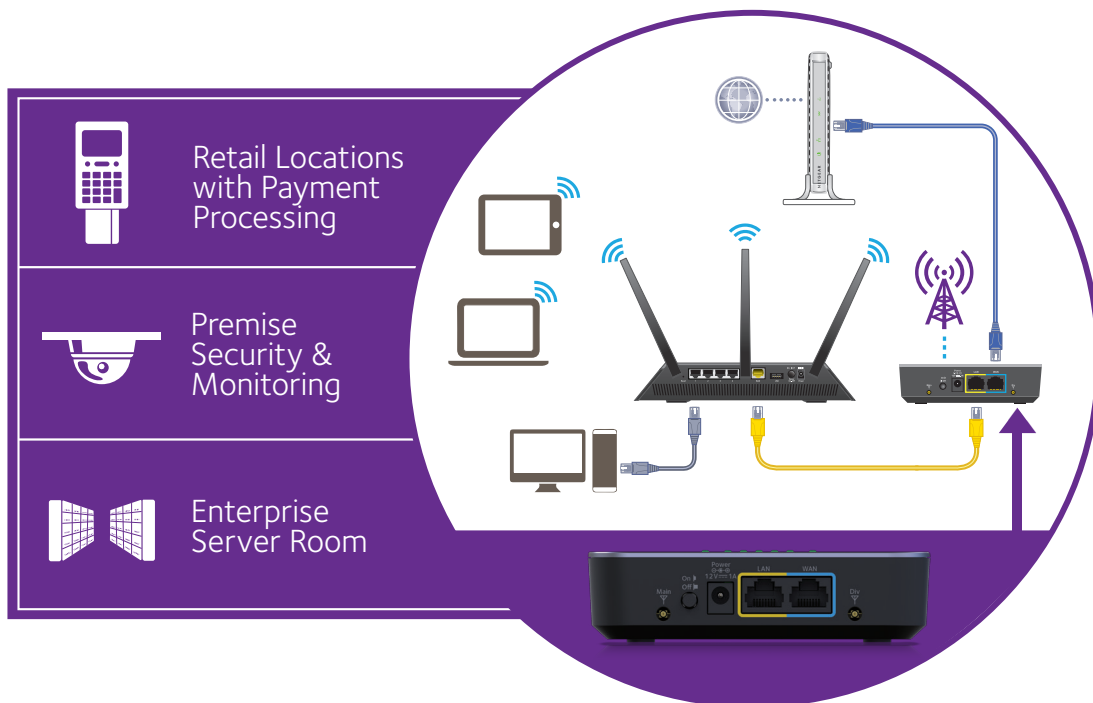
We all depend on a fast, always-on broadband connection, and planning ahead to ensure everyone stays connected is essential.

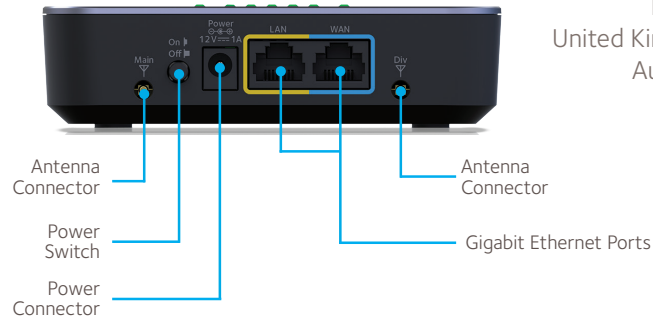
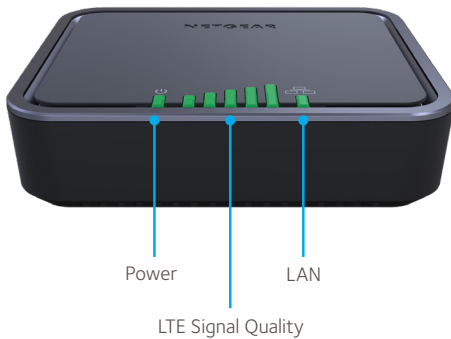
Using the NETGEAR 4G LTE Modem for broadband connectivity enables Internet access at fast speeds with the convenience of portability and flexibility. Unlike other connectivity sources, the NETGEAR 4G LTE Modem can be easily installed in a matter of minutes, and it's ideal for a wide range of environments including rural areas, outdoors, and locations where wireline option is not readily available.

The NETGEAR 4G LTE Modem is also a reliable backup source for broadband connectivity, allowing you to continue running without any disruption when your wire line broadband is unexpectedly not available.

Some typical applications include:

- LTE connectivity for business' needs
- Interim solution to fixed line service
- Last-mile connection
- Retail locations with payment processing
- Premise security & monitoring
- Temporary offices such as construction sites
- Enterprise server room





North America: LB2120-100NAS†
Europe: LB2120-100PES
United Kingdom: LB2120-100UKS
Australia: LB2120-100AUS

PACKAGE CONTENTS

- 4G LTE Modem (LB2120)
- AC power adapter
- Ethernet cable
- Quick start guide

SPECIFICATIONS

- Dimensions: 4.7 (W) x 3.9 (D) x 1.2 (H) in
- Weight: 0.4 lb

BAND SUPPORT

LB2120-100NAS:

- LTE Category 4 (up to 150 Mbps): B2, 4, 5, 12
- 3G: B2, 5

LB2120-100PES / LB2120-100UKS /
LB2120-100AUS

- LTE Category 4 (up to 150 Mbps):
B1, 2, 3, 5, 7, 8, 20, 28, 38, 40
- 3G: B1, 2, 5, 8
- 2G: Quad Band GSM

INTERFACE

- 2 x Gigabit Ethernet ports
- Internal WWAN antennas with support for optional TS9 external antennas
- 3FF (micro) SIM card slot

LEDS

- Power
- LTE Signal Quality (5 LED bar graph)
- LAN

POWER ADAPTER

- 12V DC, 1A

KEY FEATURES

- Two built-in Gigabit Ethernet connections for flexible home and office connectivity
- Fast 4G LTE backup speeds up to 150 Mbps for downloads and 50 Mbps for uploads
- Provides 4G to 3G fallback support
- SMS message alerts for firmware updates, data usage, and failover to LTE
- TR-069 for remote management
- Two TS-9 connectors available to connect optional 4G/3G antennas for better signal reception
- Direct IP pass-through for secure enterprise VPN configuration
- Manage settings via a browser-based web UI
- LEDs on device to check network status instantly
- Light and compact design for you to take anywhere

SYSTEM REQUIREMENTS

- Compatible 3G/4G/2G[†] LTE Mobile Service (3FF Micro-SIM)
- Optional external 4G/3G/2G antennas
- Microsoft Windows® 10, 8, 8.1, 7, Vista®, XP®, Mac OS® (10.6.8. and newer) and other operating systems running a TCP/IP network (for accessing Web Management User Interface)
- Compatible browsers such as Microsoft® Internet Explorer® 5.0, Firefox® 2.0, Safari® 1.4, or Google Chrome™ 11.0 browsers or higher (for accessing Web Management User Interface)

SUPPORT

- 90-day complimentary technical support*

WARRANTY

- www.netgear.com/warranty

This product comes with a limited warranty that is valid only if purchased from a NETGEAR authorized reseller.

*90-day complimentary technical support following purchase from a NETGEAR authorized reseller.

†2G support is not available on the LB2120-100NAS SKU.

NETGEAR, the NETGEAR Logo and AirCard are trademarks of NETGEAR, Inc. Mac and Mac OS are trademarks of Apple Inc. Other brand names mentioned herein are for identification purposes only and may be trademarks of their respective holder(s). Information is subject to change without notice. ©2017 NETGEAR, Inc. All rights reserved.