

# NETGEAR® Installation Guide

54 Mbps Wireless Router WGR614 v5

## Start Here

Before proceeding with the router installation, familiarize yourself with the product package contents, especially the *Reference Manual* on the *Resource CD* and the animated tutorials on configuring PCs for networking.

Follow these instructions to set up your router.

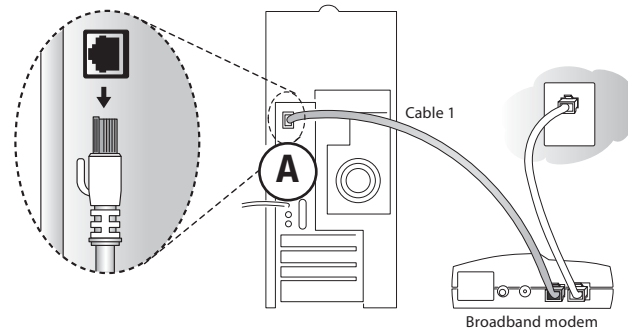
### Prepare to Install Your Router

- Observe the wireless placement and range guidelines in the *Reference Manual*.
- *For Cable Modem Service:* When you perform the router setup steps be sure to use the computer you first registered with your cable ISP.
- *For DSL Service:* You may need information such as the DSL login name/e-mail address and password in order to complete the router setup.

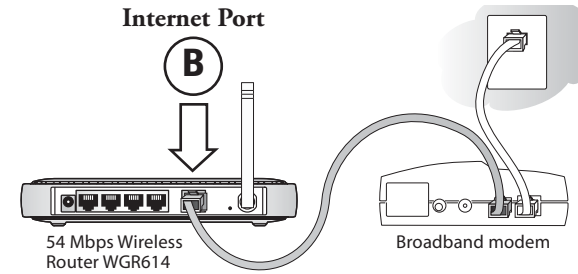
### First, Connect the Router to the Internet

#### 1 Connect Cables from the Router to the Computer and the Modem

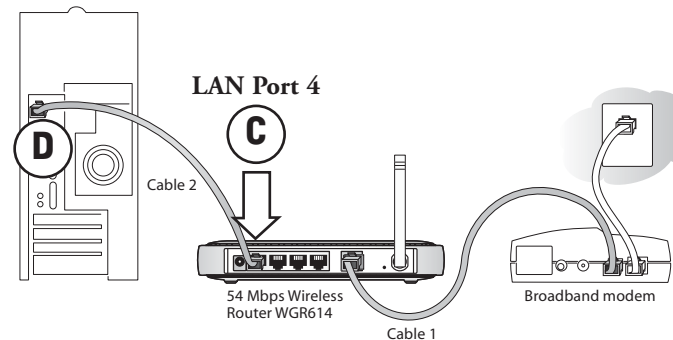
- Turn off your computer.
- Turn off the cable or DSL broadband modem.
- Locate the Ethernet cable (cable 1 in the diagram) that connects your modem and PC.
- Disconnect the cable at the computer end only, point **A** in the diagram.



- Look at the label on the bottom of the router. Locate the Internet port. Securely insert the Ethernet cable from your modem (cable 1 in the diagram) into the Internet port of the router as shown in point **B** of the diagram.



- Securely insert the blue cable that came with your router (cable 2 in the diagram) into a LAN port on the router such as LAN port 4 (point **C** in the diagram), and the other end into the Ethernet port of your computer (point **D** in the diagram).



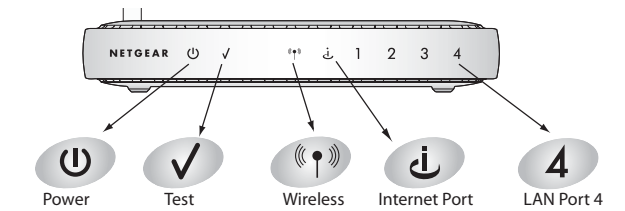
Your network cables are connected and you are ready to restart your network.

#### 2 Restart Your Network in the Correct Sequence

**Warning:** Failure to restart your network in the correct sequence could prevent you from connecting to the Internet.

- First, turn on your broadband modem and wait 2 minutes.
- Now, plug in the power cord to your router and wait 1 minute.
- Last, turn on your computer.

**Note:** For DSL customers, if software logs you in to the Internet, *do not* run that software. You may need to go to the Internet Explorer Tools menu, Internet Options, Connections tab page where you can select “Never dial a connection.”



- Check the status lights and verify the following:

- *Power:* The power light should turn solid green. When you first turn on the router, the power light blinks during its self test, then turns solid green. If it does not, see the *Troubleshooting Tips* in this guide.
- *Test:* The test light blinks when the router is first turned on then goes off. If after 2 minutes it is still on, see the *Troubleshooting Tips* in this guide.
- *Wireless:* The Wireless light should be lit. If the Wireless light is not lit, see the *Troubleshooting Tips* in this guide.
- *Internet:* The Internet port light should be lit. If not, make sure the Ethernet cable is securely attached to the router Internet port and the modem, and the modem is powered on.
- *LAN:* A LAN light should be lit. Green indicates your computer is communicating at 100 Mbps; amber indicates 10 Mbps. If none are lit, check that the Ethernet cable from the computer to the router is securely attached at both ends, and that the router is turned on.

#### 3 Use the SmartWizard to Configure the Router

- From the Ethernet connected PC you just set up, open a browser such as Internet Explorer or Netscape® Navigator.

In its factory default state, the router will display the NETGEAR Smart Wizard welcome page. Click **OK** to proceed.

**Note:** If you do not see this page, type <http://www.routerlogin.net> in the browser address bar and click **Enter**.



If you still cannot connect to the router, verify your computer networking setup. It should be set to obtain both IP and DNS server addresses automatically, which is usually so. For help with this, please see the *Reference Manual* or animated tutorials on the *Resource CD*.

- b. Follow the Smart Wizard prompts to connect to the Internet.
- c. Enable your wireless network, click **Next** to proceed, then click **Done** to finish.



**Note:** The router Smart Wizard configuration assistant only appears when the router is in its factory default state. After you configure the router, it will not appear again. You can always connect to the router configuration menu to change its settings. To do so, open a browser and go to <http://www.routerlogin.net>. Then, when prompted, enter **admin** as the user name and **password** for the password, both in lower case letters.

## 4 Netgear Product Registration, Support, and Documentation

After completing the Smart Wizard configuration assistant, register your product at <http://www.NETGEAR.com/register>. Registration is required before you can use our telephone support service.

Product updates and web support are always via a link in the router menu, and at: <http://kbserver.netgear.com/products/WGR614v5.asp>

Documentation is available on the *Resource CD*, via a link in the router menu, and at <http://kbserver.netgear.com/documentation/WGR614v5.asp>

## Now, Set Up a Computer for Wireless Connectivity

You are now connected to the Internet and the wireless feature of the router is enabled! Next, configure your wireless computer.

### 1 Configure the Computer's Wireless Adapter Settings

Netgear wireless adapters automatically discover available wireless networks. When wireless security is disabled, you simply choose from the list of wireless networks and connect.

For a non-NETGEAR wireless adapter, configure it to match these settings exactly. If you changed the default Network Name (SSID), be sure to use the correct Network Name (SSID) you set in the router.



Wireless Adapter in a Notebook Computer



May 2004

Wireless Feature	Default Setting
Network Name (SSID)	NETGEAR
WEP Security	Disabled

**Warning:** The Network Name (SSID) is case sensitive. Entering nETgear will not work.

## 2 Verify Wireless Connectivity

Connect to the Internet from a computer with a wireless adapter. You are now wirelessly connected to the Internet!

**Important:** Implement wireless security options appropriate to your needs. These settings enable basic wireless connectivity that let you can set up your wireless computers and test wireless Internet access through the router. The NETGEAR wireless router provides many wireless security options. Your wireless computer may not support all of these options. Please read the NETGEAR manual to identify the wireless security features of your router that satisfy your requirements and work with your wireless computer.

## Troubleshooting Tips

Here are some tips for correcting simple problems you may have.

### Be sure to restart your network in the this sequence

- 1) Turn off the modem, router, and computer; 2) Turn on the modem, wait two minutes;
- 3) Turn on the router and wait 1 minute; 4) Turn on the computer.

### Make sure the Ethernet cables are securely plugged in

- The Internet status light on the router will be lit if the Ethernet cable to the router from the modem is plugged in securely and the modem and router are turned on.
- For each powered on computer connected to the router with a securely plugged in Ethernet cable, the corresponding router LAN port status light will be lit. The label on the bottom of the router identifies the number of each LAN port.

### Make sure the wireless settings in the computer and router match exactly

The Wireless Network Name (SSID) and WEP settings of the router and wireless computer must match exactly.

### Make sure the network settings of the computer are correct

- Ethernet cable and wirelessly connected computers *must* be configured to obtain IP *and* DNS addresses automatically via DHCP. For help with this, please see the animated tutorials on the *Resource CD* or the *Reference Manual* Appendix C on the *Resource CD*.
- Some cable modem ISPs require you to use the MAC address of the computer registered on the account. If so, in the Router MAC Address section of the Basic Settings menu, select, "Use this Computer's MAC Address." The router will then capture and use the MAC address of the computer that you are now using. You must be using the computer that is registered with the ISP. Click **Apply** to save your settings. Restart the network in the correct sequence.

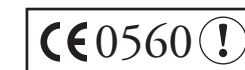
### Check the router status lights to verify correct router operation

- If the Power light does not turn solid green within 2 minutes after turning the router on, reset the router according to the instructions in the *Reference Manual* on the *Resource CD*.
- If the Wireless light does not come on, verify that the wireless feature is turned on according to the instructions in the *Reference Manual* on the *Resource CD*.

## Technical Support

PLEASE REFER TO THE SUPPORT INFORMATION CARD THAT SHIPPED WITH YOUR PRODUCT.

By registering your product at [www.NETGEAR.com/register](http://www.NETGEAR.com/register), we can provide you with faster expert technical support and timely notices of product and software upgrades.



**Attention:** When you configure the wireless settings of this device please make sure to select the correct country settings. Due to EU law, the country settings must be identical to the country where the device is operating (important due to non-harmonized frequencies in the EU)

**802.11g Restrictions:** European standards dictate maximum radiated transmit power of 100 mW EIRP and frequency range of 2.400 ~ 2.4835 GHz. In France, the equipment must be restricted to 2.44654 ~ 2.4835 GHz frequency range and must be restricted to indoor use.

©2004 NETGEAR, Inc. NETGEAR, the Netgear logo, Auto Uplink, ProSafe and Everybody's connecting are trademarks or registered trademarks of Netgear, Inc. in the United States and/or other countries. Microsoft and Windows are registered trademarks of Microsoft Corporation in the United States and/or other countries. Other brand and product names are trademarks or registered trademarks of their respective holders. Information is subject to change without notice. All rights reserved.